

169 St. David Street, P.O. Box 609 Mitchell, ON N0K 1N0
519-348-8429 – info@westperth.com
www.westperth.com



2017 Fall Newsletter

2018 Municipal Elections

Considering running for Council?

The next Municipal Election will be held on
October 22, 2018

The term of Council begins on December 1, 2018 and
concludes in 2022

The Nomination period opens on May 1, 2018 and
closes on Nomination Day, July 27, 2018.

To run for office, you must be an eligible elector in the
Municipality of West Perth

More information related to the 2018 Municipal
Election will be available closer to the opening of the
Nomination period

Internet and Telephone Voting in 2018

Internet and telephone voting allows West Perth
residents to cast their vote from anywhere, even the
comfort of their own home, as long as they have an
internet connection and/or access to a telephone.

This method will provide greater convenience,
accessibility and flexibility for electors.

2017 Tax Installment Due Dates – August 31 and November 30, 2017

Accepted Tax Payment include:

- In Person 8:30 a.m.-4:30 p.m.
- After Hours Drop Box (Cheques Only)
- By Mail, P.O. Box 609, Mitchell ON, N0K 1N0
- Pre-Authorized Payment (Form on the website)
- Telephone/Internet Banking & Teller/ABM Payments

Any payment received in our office after the due date
will be considered late and as such will be subject to
penalty and interest charges.

Paperless Billing

You now have the option to receive your tax bills
and water bills by email. Ask for our E-Mail
Authorization Form or download it from
www.westperth.com.

Epost from Canada Post is no longer available.

Sign your water and tax bills up for email
billing before August 31st 2017 and earn 2
entries to **WIN a \$100 gift card** to any
West Perth business of your choice!

The draws will be held Sept 1, 2017
so don't miss out!

Through difficult decision making in the 2017
Budget process, Council decided not to
support request for contributions from the
St.Marys Hospital Foundation, the
Stratford/Perth Hospice Project and the Perth-
Huron United Way. Council feels that these
are very worthy causes however, Council
believes that charitable giving is a personal
decision that should be made by tax payers
themselves. Individuals are encouraged to
consider making a donation to the charity of
one's choice directly.

Your donation makes a difference.

REMINDER!

Fallen limbs from trees will not be picked up by
the municipality. Residents can take them to the
landfill *free of charge*. Rural residents have the
option to call the Municipal Office for an Open
Air Burning Permit. Leaf pickup will happen late
October to early November, weather permitting.

New West Perth Website – Launching in November

The Municipality of West Perth is set to launch its re-designed website - www.westperth.com in
early November featuring a completely new layout and design. The website has been developed
to enhance the user experience making it more convenient and accessible.

Key features of our new website will include:

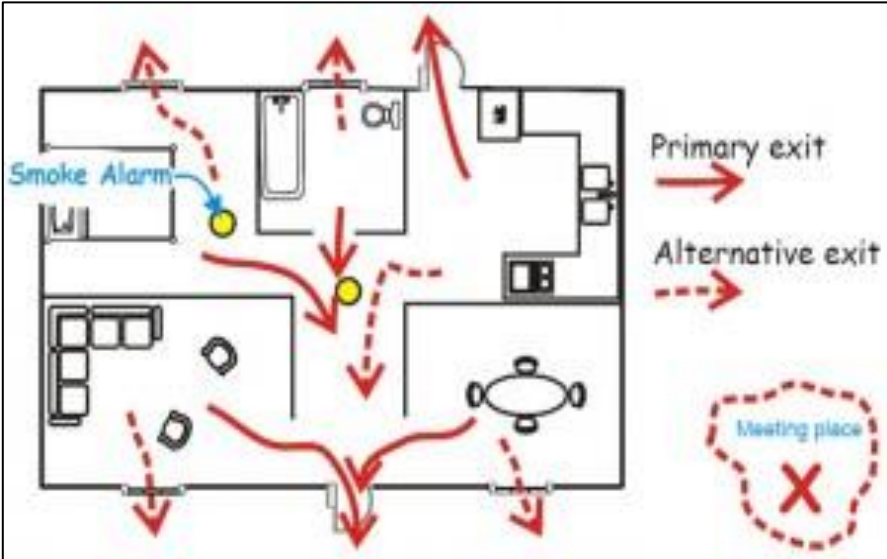
Improved navigation, acceptance of online payments, an up to date community events calendar,
and online program registration just to name a few!

Fire Hydrant Flushing will take place at the end of September and early October for flushing
and flow testing. Customers may experience discoloured water at any time during this period.

Please check water quality before laundering clothes.

We apologize for any inconvenience this may cause.

For more information on this, please contact the Municipal Office.



**West Perth Fire Department
Fire Prevention Week
October 8 to 14, 2017 –
“Every Second Counts: Plan 2
Ways Out!”**

From October 8 to October 14, 2017 we’re spreading the word that in a fire, seconds count. Seconds can mean the difference between residents of our community escaping safely from a fire or having their lives end in tragedy. This year’s Fire Prevention Week theme: “Every Second Counts: Plan 2 Ways Out!” is so important. *Everyone needs to have an escape plan.*

Open Air Burning Are you looking to have a small contained fire to get rid of some brush? You need a burn permit. Open air burning can only take place with a valid permit. Open Air Burning Permits can only be issued during regular business hours.

Leaving a voice-mail *does not* constitute as an issued permit!
Call 519-348-8429

West Perth Public Library

Chess Club is back for the summer on Wednesday evenings until August 23. No pre-registration is required and players of all ages and levels are welcome. Chess: more mental than physical!

West Perth is fortunate to have many talented artists in their midst. Visit level 3 of the Library and see the work of the Mitchell and Area Arts Group. Their exhibition entitled “Canada 150: What defines us” is on display until August 31.

For more information on these activities or anything else at the library, call 519-348-9234, e-mail wpl@pcin.on.ca, visit our website westperth.library.on.ca, check us out on [Facebook](#) or just show up at the front desk. We are here to help.

**Municipal Landfill Site
Hours of Operation**

Monday, Wednesday and Friday:
10 am to 4:45 pm
Saturday: 9 am to 2:45 pm
Closed on Statutory Holidays

Garbage and Recycling

The Municipality of West Perth partners with [Bluewater Recycling Association \(BRA\)](#) to provide curbside garbage and recycling collection. Looking for the collection schedule? Missing your bin? Report a missed pick up? Visit West Perth’s My Services Hub on [BRA’s website](#).

Never miss a collection date with BRA’s [smartphone and tablet app](#).

CITIZEN SELF REPORTING
CAN BE USED WHEN REPORTING INCIDENTS THAT DO NOT INVOLVE INJURY OR A SUSPECT, OR A CRIME THAT IS NOT AN EMERGENCY.
LEARN MORE.



**Perth County Emergency Management
Creating Disaster-resilient Communities**

For more information, please visit us at www.perthcounty.ca/page/emergency_management

Or follow us on Twitter: @PerthCoEmrgMgt

Property Assessment - The 2017 final tax bill is the first year for a 4-year reassessment period. On the Explanation of Changes on your tax bill, it will state how much change in taxes is due to reassessment. More information regarding assessment is on the [West Perth website](#).

Connect With Us!



Twitter



Facebook



Website